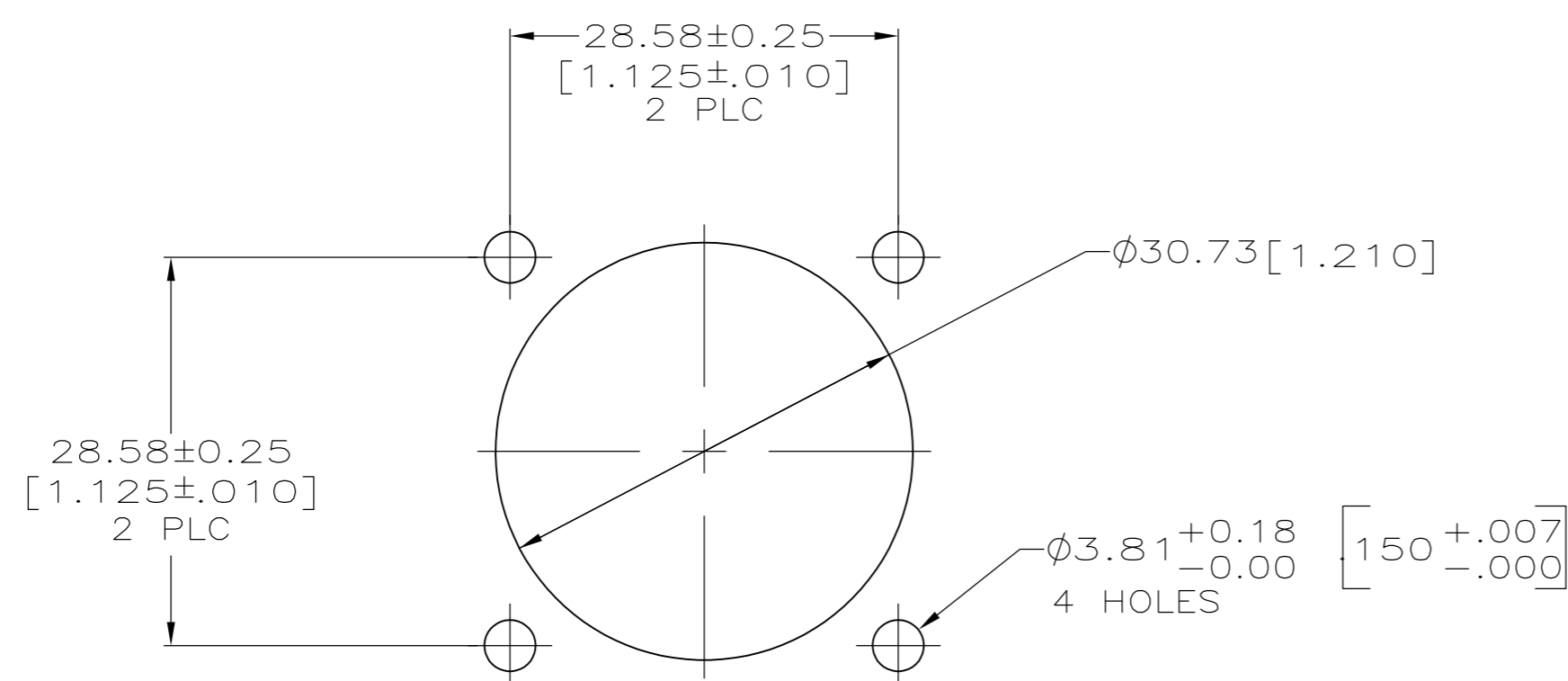
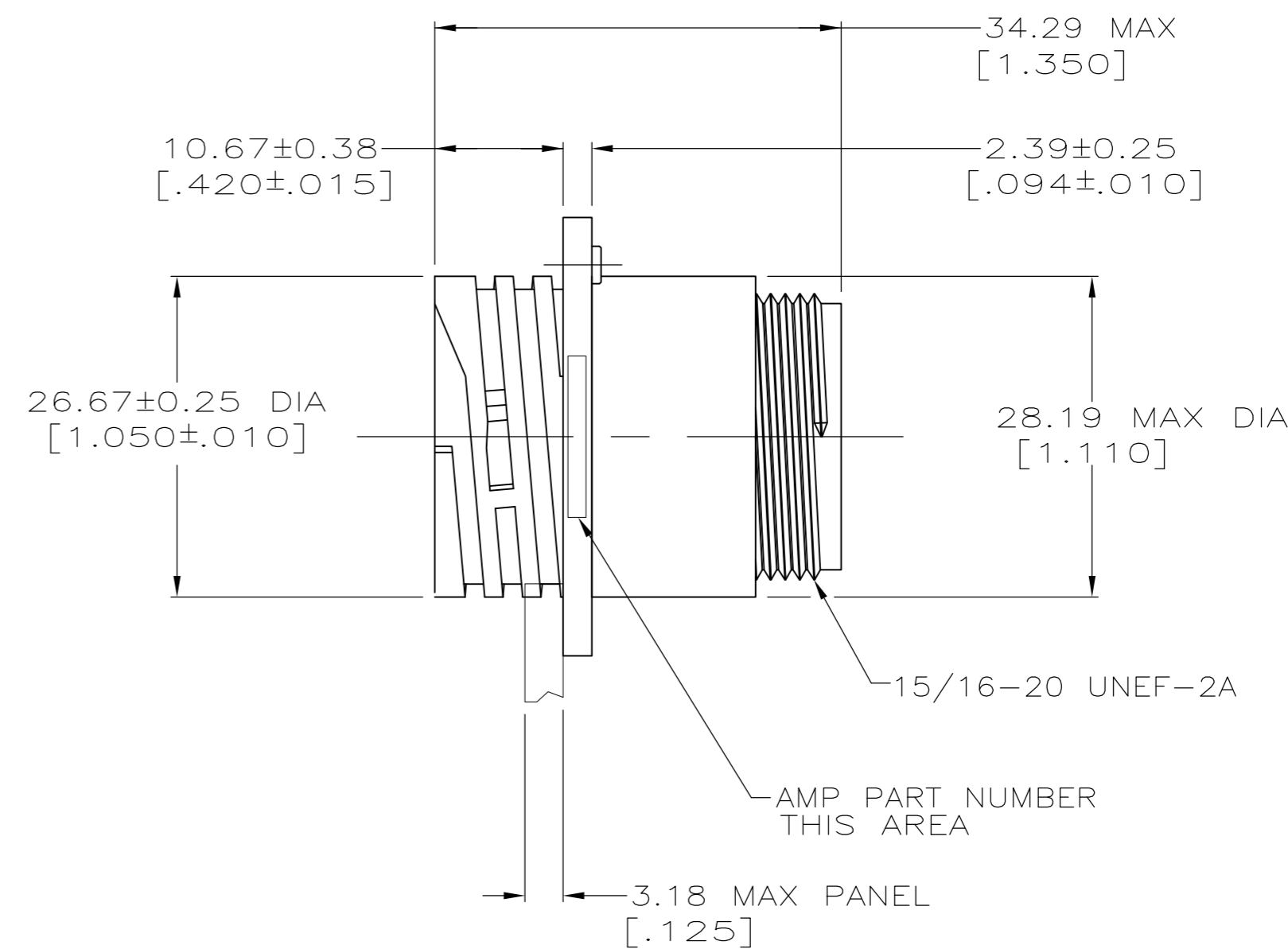
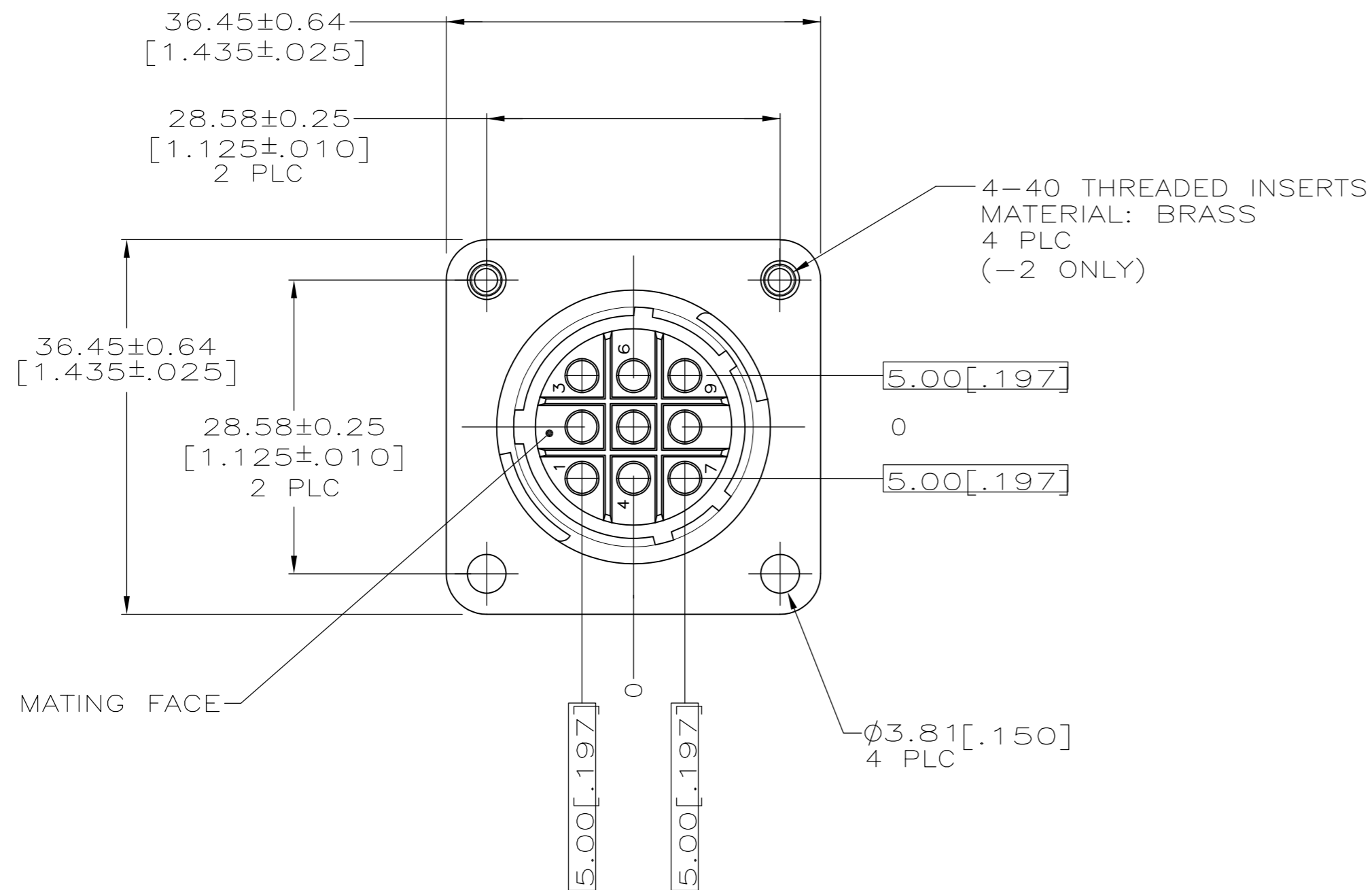


THIS DRAWING IS UNPUBLISHED. RELEASED FOR PUBLICATION
 © COPYRIGHT - By - ALL RIGHTS RESERVED.

LOC		DIST		REVISIONS			
P	LTR	DESCRIPTION		DATE	DWN	APVD	
FT	0	D1	REVISED PER ECO-11-004587		11MAR11	RK	HMR



RECOMMENDED PANEL CUTOUT

- 1. HOUSING: NYLON, BLACK.
THREADED INSERTS: BRASS
- 2. CAVITY IDENTIFICATION ON FRONT AND REAR FACE.
- 3. WILL ACCEPT NINE (9) MULTIMATE PIN CONTACTS.

YES	211767-3
YES	211767-2
NO	211767-1
4-40 THREADED INSERTS	PART NUMBER

DIMENSIONS:		TOLERANCES UNLESS OTHERWISE SPECIFIED:		DWN		CHK		APVD		NAME	
INCHES											
		0 PLC	± -	D.BROCKWAY	09-28-94	R.STONE	09-30-94			TE Connectivity	
		1 PLC	± -	RCPT HSG, STD SEX, VDE, SHELL SIZE 17, CPC						SIZE	RESTRICTED TO
		2 PLC	± 0.13 [.005]							CAGE CODE	
		3 PLC	± -							DRAWING NO	
		4 PLC	± -							SCALE	
		ANGLES	± -							SHEET	
		FINISH	-							REV	
MATERIAL	-									CUSTOMER DRAWING	